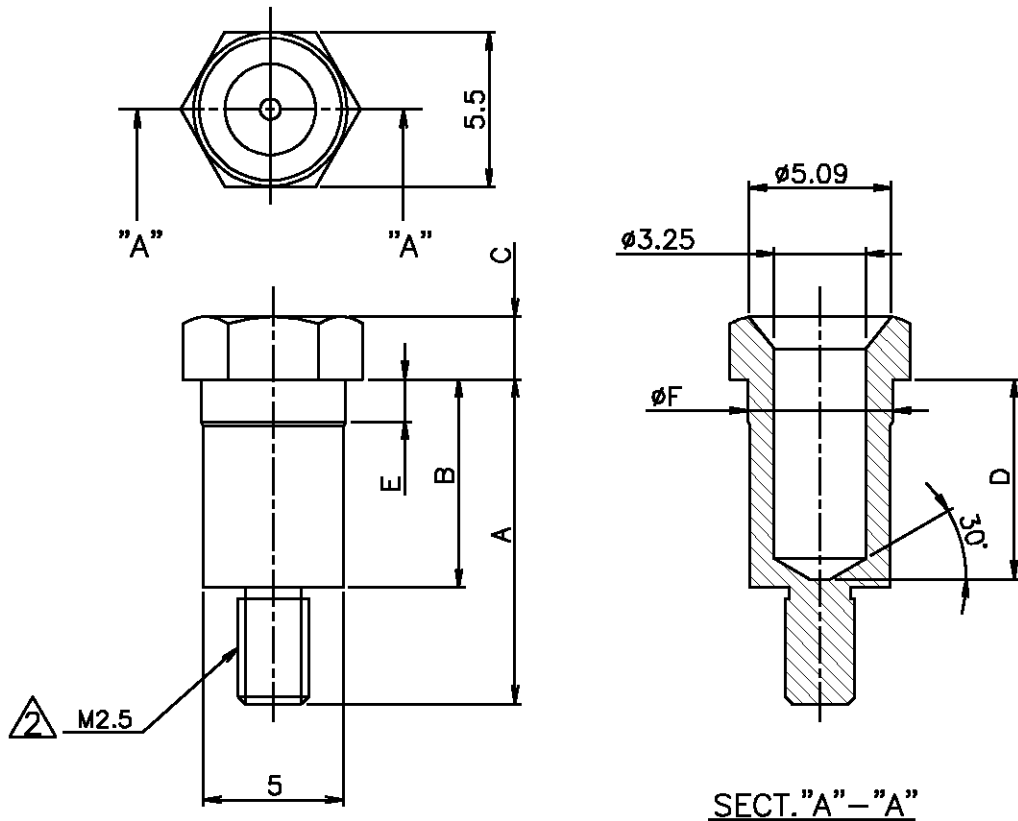


LOG J	DIST	REVISIONS 履歴					
		P	LTR	DESCRIPTION	DATE	DWN	APVD
		C		REVISED&REDRAWN FJ00-2475-02	02DEC'02	S.A	Y.Y



- 注記
- 材料及び仕上：黄銅、ニッケルメッキ
  - ねじ部先端を除き、ゆるみ止め材料塗布

NOTE (ロックタイト DRI-LIC 202, 203 相当)

- MATERIAL AND FINISH : BRASS, NI PLATE  
THREAD LOCKING MATERIAL APPLIED  
EXCEPT FOR THREAD TIP AREA.  
(EQUIVALENT LOCTITE DRI-COC 202,203)

	— / —	— / —	7.1	2.22	7.4	11.54	5-177728-1
MAKE FROM -2	5.15	1.5	6.3	3.02	6.6	10.74	2-177728-2 <sup>②</sup>
	5.15	1.5	6.3	3.02	6.6	10.74	177728-2
	5.15	1.5	7.1	2.22	7.4	11.54	177728-1
REMARKS	F	E	D	C	B	A	P/N

THIS DRAWING IS UNPUBLISHED.  
COPYRIGHT 1983 BY TYCO ELECTRONICS CORPORATION.

DIMENSIONS: 単位：mm	DWN S.ABE	29NOV2002	MATERIAL 材料	SEE NOTE	FINISH 仕上	SEE NOTE
	CHK Y.YAMAMOTO	02DEC2002	Tyco Electronics AMP K.K. Kawasaki, Japan			
TOLERANCES UNLESS OTHERWISE SPECIFIED: 一般公差	APVD Y.YAMAMOTO	02DEC2002				
0 PLC ± 0.25	PRODUCT SPEC 製品規格		NAME 名称			
1 PLC ± 0.25	APPLICATION SPEC 取付適用規格		GUIDE SOCKET FOR AMP DOCKING CONNECTOR			
2 PLC ± 0.25	WEIGHT		SIZE	CAGE CODE	DRAWING NO 番号	RESTRICTED TO
3 PLC ±	CUSTOMER DRAWING		A4	00779	177728	—
4 PLC ±			SCALE 尺度	4:1	SHEET	1 OF 1
ANGLES ± 3'			REV	C		